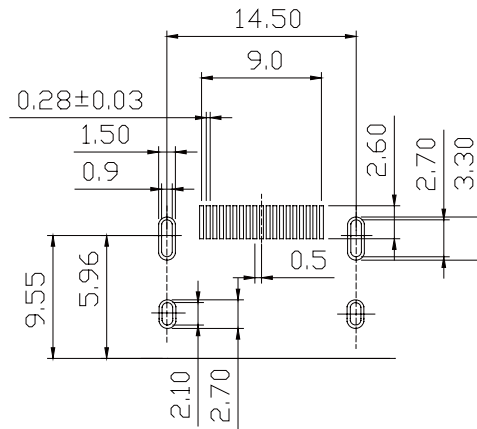
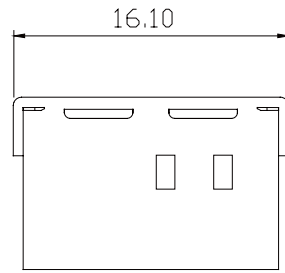


BY	CHK	REVISION RECORD MODIFICATIONS	DATE	REV.
ALLEN		RELEASE TO PRODUCTION	2007,9,10	1.0



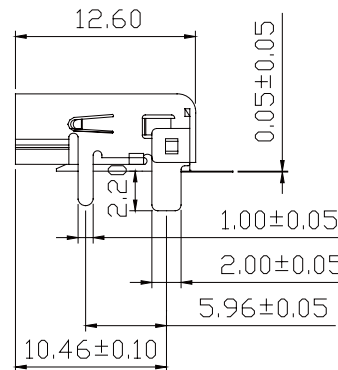
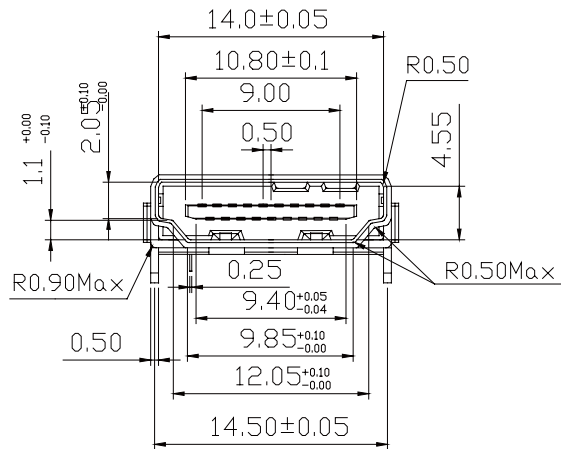
RECOMMENDED PCB LAYOUT

**Material:**

- 1.1 Housing: L.C.P Color: black
- 1.2 Contact: Phosphor bronze T=0.25mm
- 1.3 Shell: Copper alloy T=0.50mm

**Specification:**

- 2.1 Current rating: 0.5A Max
- 2.2 Voltage rating: 40 V AC (rms) Max
- 2.3 Contact resistance: 50mΩ Max
- 2.4 Dielectric withstanding voltage: 100 V (ac) for 1min
- 2.5 Insulation resistance: 1000 mΩ min
- 2.6 Operation temperature range: -25°C -85°C



PartNo.: HDMIM-F19 SB BA-U

Selective 10u"

APPRO	CHECK	DRAWN	PART NO.	Part No.:HDMIM-F19SBBA-U		
			ITEM NO.			
			DRAW NO.			
			UNIT	mm	SCALE	no
			TOLER		NO.	

DESCRIPTION

